

Quadra-Fire Auto-Clean Motor Replacement

Removing the auto-clean motor

1. Unplug stove.
2. Remove ash pan.
3. Remove the shoulder bolt and nut holding the Auto-Clean Link Arm and Auto-Clean Lever together.



4. Remove the 3/8" bolt holding auto clean assembly to back wall.
5. Remove power supply by depressing the holding clip & sliding out towards the control board.



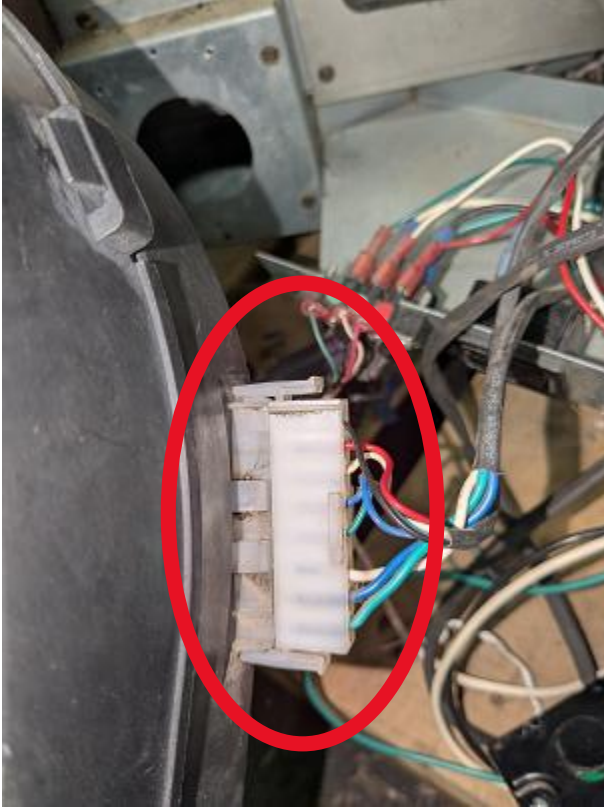
6. Remove the back panel for easier access.



7. Remove the room fan retaining pin or unhook retaining clip to detach the room fan from the back of the stove.



8. Detach Molex connector from room fan and place out of the way.



9. For added space, you can remove the two screws under the bottom plate. It is not necessary to remove the auto-clean motor, but it helps.



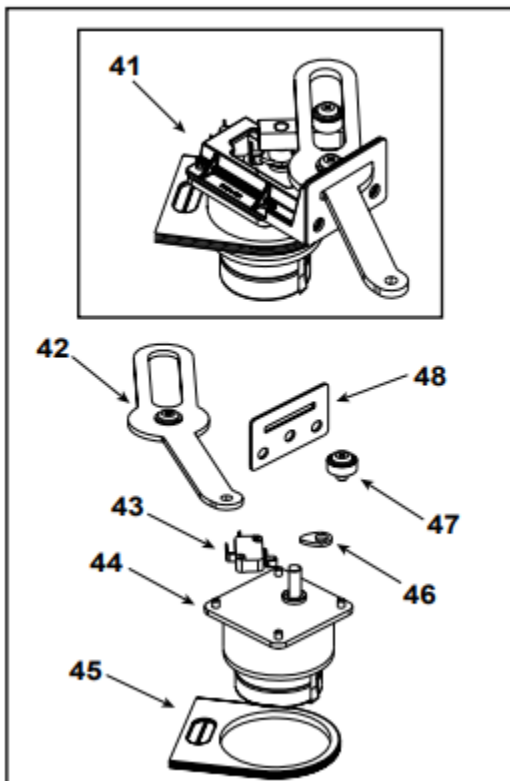
10. Remove the four screws holding the room fan/control board mounting plate and move out of the way.

11. Disconnect the auto clean sensor.



12. Pull auto clean assembly from the back of stove by pulling the rubber bracket straight back along the grooves.
13. Disconnect the auto-clean motor wire from the control board.

41 Auto Clean Motor/Arm Assembly



14. Loosen setscrew on motor shaft
15. Remove the four screws holding the motor to assembly
16. Ensure you align the auto clean sensor while installing new motor to the assembly
17. Install the Cam, Switch, Auto-Clean onto the motor shaft
18. Install Bearing onto auger shaft
19. Insert shaft into setscrew and set screw on flat portion of shaft
20. Attach motor to assembly
21. Install rubber bracket back onto motor
22. Run sensor wirings through the bottom of rubber bracket and attach to sensor
23. Install the assembly from the back of stove aligning the rubber bracket with grooves into stove base
24. Re-install 3/8 bolt under ash pan to hold assembly in place
25. Re-attach Auto-Clean Link Arm and Auto-Clean Lever together
26. Connect wiring to control board
27. Reinstall fan and control board bracket
28. Connect and install room fan
29. Install stove back panel
30. Attach power supply
31. Screw in bottom plate if removed earlier
32. Plug the stove back in and test the auto-clean to make sure everything is working normally